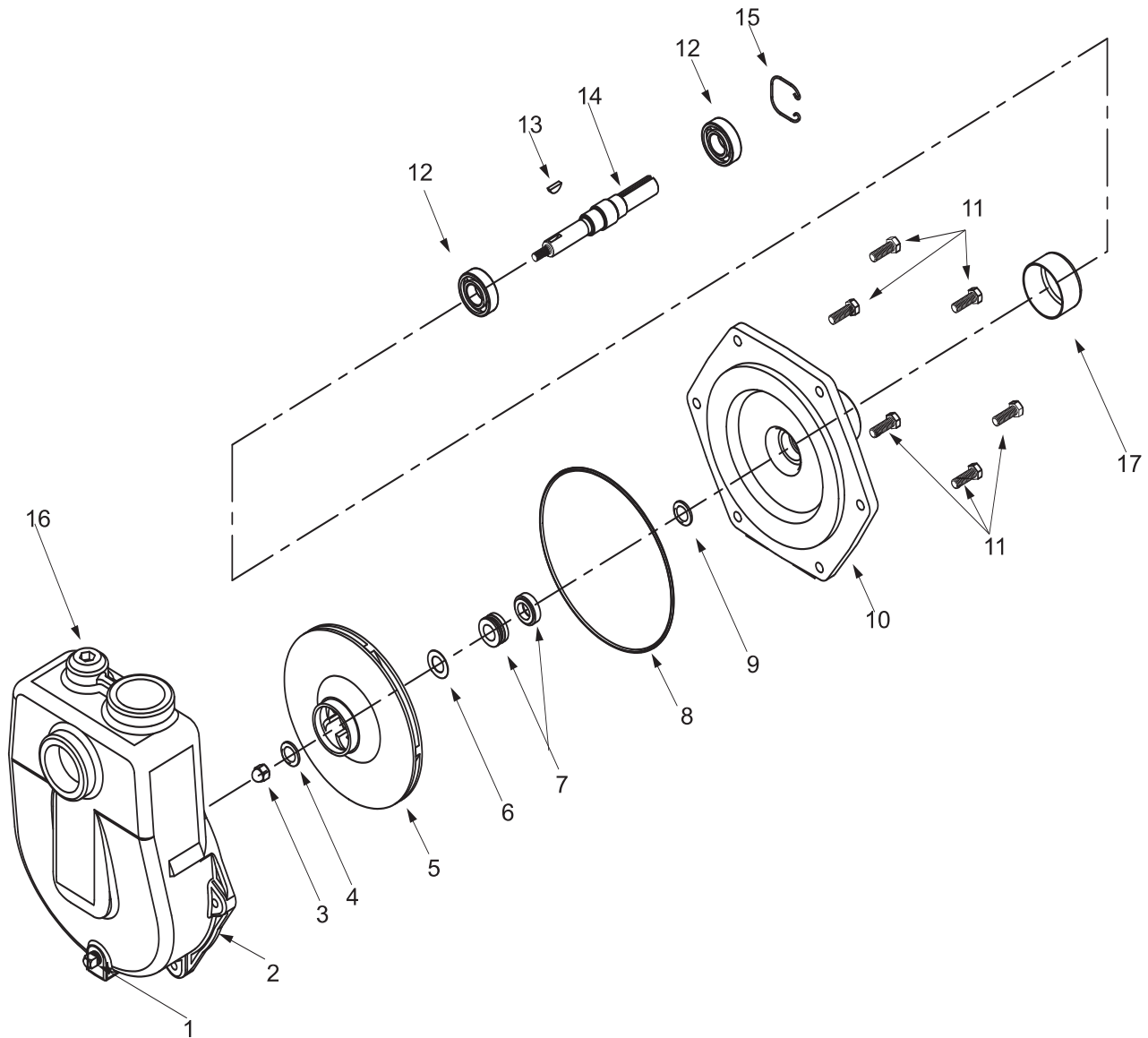


Model 9205C-SP and 9205C-BSP



Seal and O-ring Repair Kit
No. 3430-0537 consists of:
(1) Ref. 6 Gasket
(1) Ref. 7 Mechanical seal
(1) Ref. 8 O-Ring

Silicon Carbide Kit
No. 3430-0646 consists of:
(1) Ref. 7 Mechanical seal
(1) Ref. 8 O-Ring

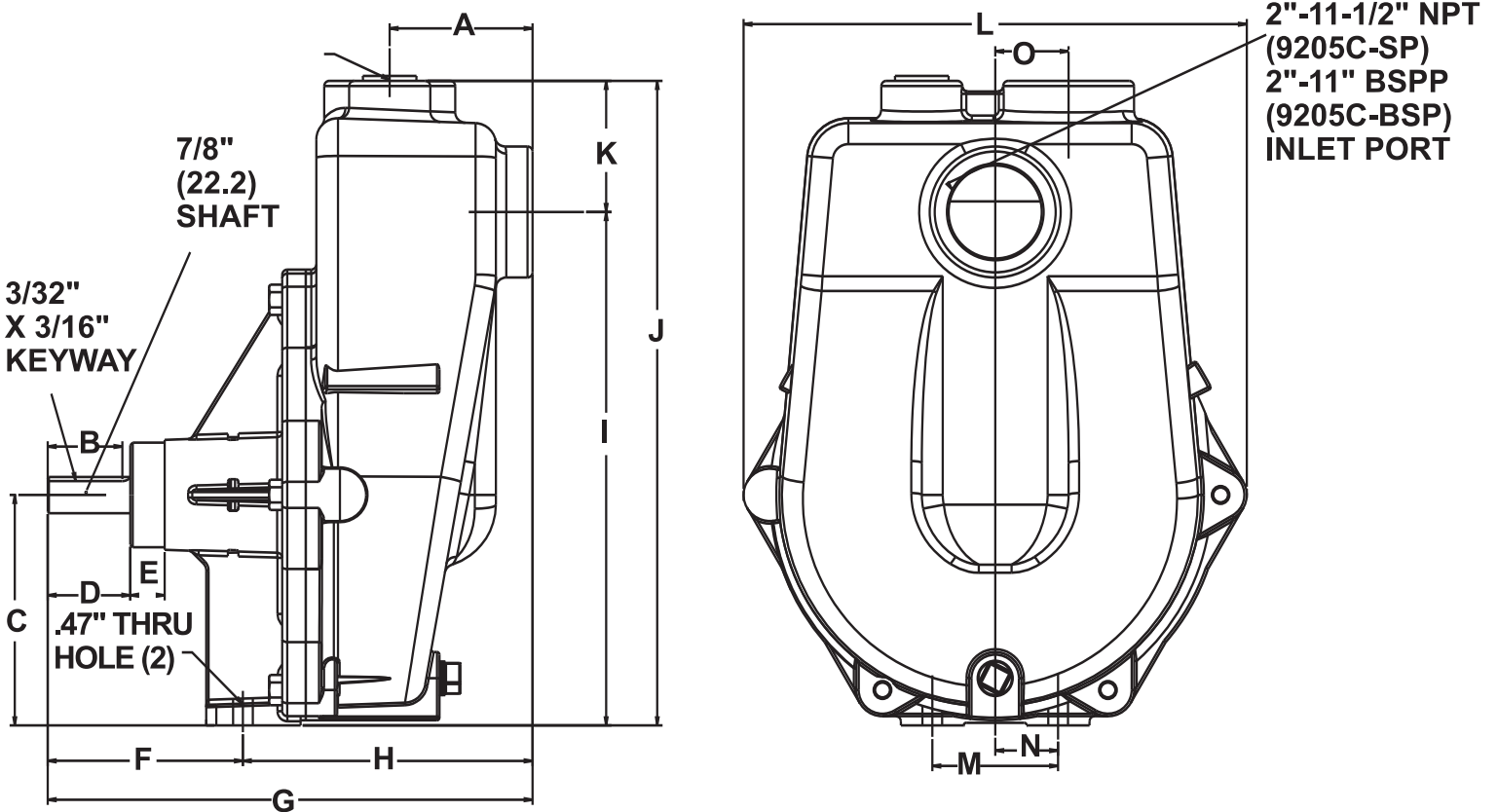
Note: When ordering parts, give quantity, part number, description and complete model number. Reference numbers are used ONLY to identify parts in the drawing and NOT to be used as order numbers.

Ref. No.	Qty. Req'd.	Part No.	Description
1	1	2406-0002	Drain Plug
2	1	0150-9075C	Pump Casing (standard)
2	1	0150-9075C1	Pump Casing (BSP)
3	1	2253-0002	Impeller Nut
4	1	2270-0071	Washer
5	1	0403-9200P	Impeller (Nylon)
6	1	1700-0101	Gasket
7	1	2120-0011	Mechanical Seal (Standard Viton)
8	1	1720-0180	O-Ring
9	1	1410-0083	Slinger Ring

Ref. No.	Qty. Req'd.	Part No.	Description
10	1	0751-9200C	Mounting Flange
11	6	2210-0086	Bolt
12	2	2008-0001	Ball Bearing
13	1	1610-0012	Key
14	1	0507-9200	Pump Shaft
15	1	1820-0025	Bearing Retainer
16	1	2406-0034	Priming Port Plug (Standard)
16	1	2406-0036	Priming Port Plug (BSP)
17	1	2300-0035	Protective Cover

9205C-SP		GPM at	GPM at	GPM at	GPM at	GPM at	GPM at	GPM at	GPM at	GPM at	GPM at	GPM at
	RPM	40 PSI	50 PSI	60 PSI	70 PSI	80 PSI	90 PSI	100 PSI	110 PSI	120 PSI	130 PSI	140 PSI
	3400	133	132	131	130	115	94	68	35			
	3600	135	134	133	127	114	97	80	54	20		
	3800	159	159	159	159	159	159	140	120	96	65	24

9205C-SP		LPM at	LPM at	LPM at	LPM at	LPM at	LPM at	LPM at	LPM at	LPM at	LPM at	LPM at
	RPM	2.8 BAR	3.4 BAR	4.1 BAR	4.8 BAR	5.5 BAR	6.2 BAR	6.9 BAR	7.6 BAR	8.3 BAR	9.0 BAR	9.7 BAR
	3400	503	500	496	492	435	356	257	132			
	3600	511	507	503	481	432	367	303	204	76		
	3800	601	601	601	601	601	601	531	454	363	244	91



**9205C-SP
Dimensions**

	A	B	C	D	E	F	G	H	I	J	K	L	M	N	O
Inches	3.41	1.78	5.50	1.97	0.82	4.66	11.56	6.91	12.75	15.38	3.13	12.00	3.00	1.50	1.75
mm	86.6	45.2	139.7	50.0	20.8	118.4	293.6	175.5	323.9	390.7	79.5	304.8	76.2	38.1	44.5