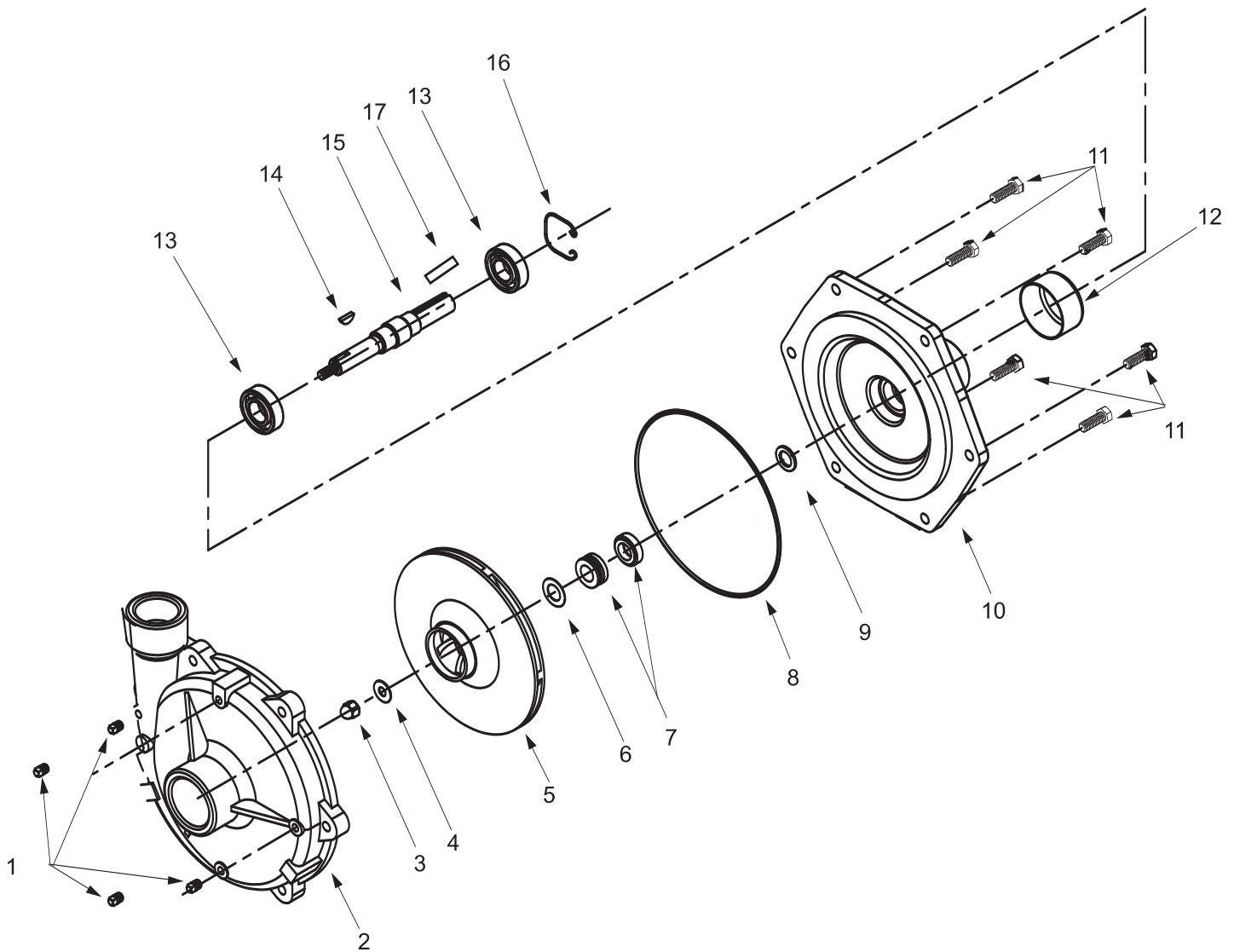


Model 9205C



Seal Kit for 9205C
No. 3430-0537 consists of:
(1) Ref. 6 Gasket
(1) Ref. 7 Mechanical seal
(1) Ref. 8 O-Ring

Silicon Carbide Kit
No. 3430-0646 consists of:
(1) Ref. 7 Mechanical seal
(1) Ref. 8 O-Ring

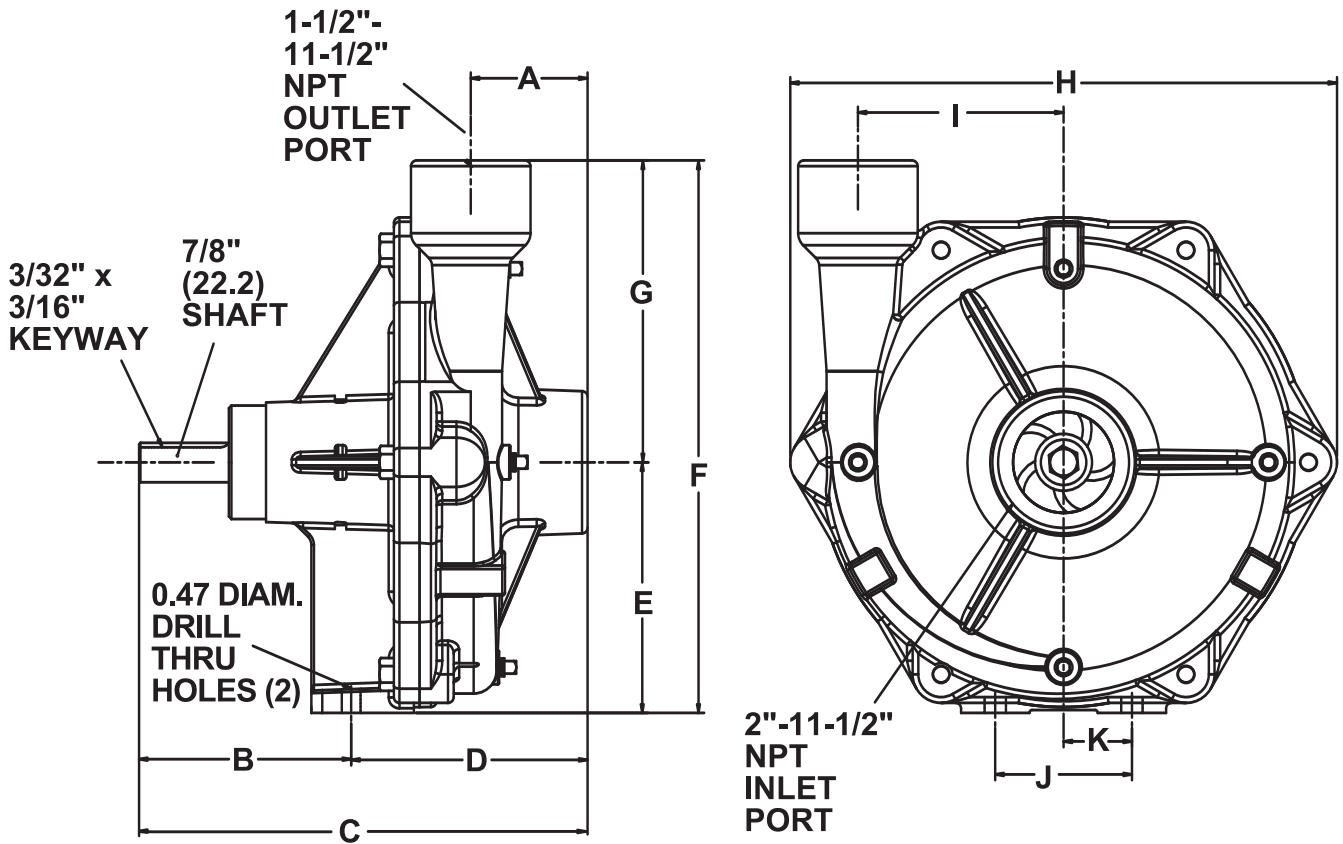
Note: When ordering parts, give quantity, part number, description and complete model number. Reference numbers are used ONLY to identify parts in the drawing and NOT to be used as order numbers.

Ref. No.	Qty. Req'd.	Part No.	Description
1	4	2406-0007	Drain Plug
2	1	0152-9200C	Pump Casing
3	1	2253-0002	Impeller Nut
4	1	2270-0071	Washer
5	1	0403-9200P	Impeller (Nylon)
6	1	1700-0101	Gasket
7	1	2120-0011	Mechanical Seal (Viton)
8	1	1720-0180	O-Ring

Ref. No.	Qty. Req'd.	Part No.	Description
9	1	1410-0083	Slinger Ring
10	1	0751-9200C	Mounting Flange
11	6	2210-0086	Bolt
12	1	2300-0035	Protective Cover
13	2	2008-0001	Ball Bearing
14	1	1610-0012	Key
15	1	0507-9200	Pump Shaft
16	1	1820-0025	Bearing Retainer
17	1	1610-0004	Key

9205C		GPM at	HP	GPM at	HP	GPM at	HP	GPM at	HP	GPM at	HP	GPM at	HP	GPM at	HP	GPM at	HP
	RPM	20 PSI		40 PSI		60 PSI		80 PSI		100 PSI		120 PSI		140 PSI		160 PSI	
	3000	165	11.4	164	11.7	154	11.6	104	9.5								
	3400	175	14.8	175	15.5	173	16.3	168	16.3	127	14.2	43	8.7				
	3800	180	18.2	180	18.8	180	19.8	178	21.1	173	21.8	156	20.7	112	17.5		
4200	180	21.9	180	22.0	180	24.0	180	25.3	180	26.9	177	27.9	173	28.1	157	26.4	

9205C		LPM at	HP	LPM at	HP	LPM at	HP	LPM at	HP	LPM at	HP	LPM at	HP	LPM at	HP	LPM at	HP
	RPM	1.4 BAR		2.8 BAR		4.1 BAR		5.5 BAR		6.9 BAR		8.3 BAR		9.7 BAR		11.0 BAR	
	3000	625	11.4	621	11.7	583	11.6	394	9.5								
	3400	662	14.8	662	15.5	655	16.3	636	16.3	481	14.2	163	8.7				
	3800	681	18.2	681	18.8	681	19.8	674	21.1	655	21.8	591	20.7	424	17.5		
4200	681	21.9	681	22.0	681	24.0	681	25.3	681	26.9	670	27.9	655	28.1	594	26.4	



9205C

Dimensions

	A	B	C	D	E	F	G	H	I	J	K
Inches	2.56	4.66	9.84	5.19	5.5	12.1	6.63	12.0	4.52	3	1.5
mm	65	118	250	132	140	308	168	305	115	76.2	38.1