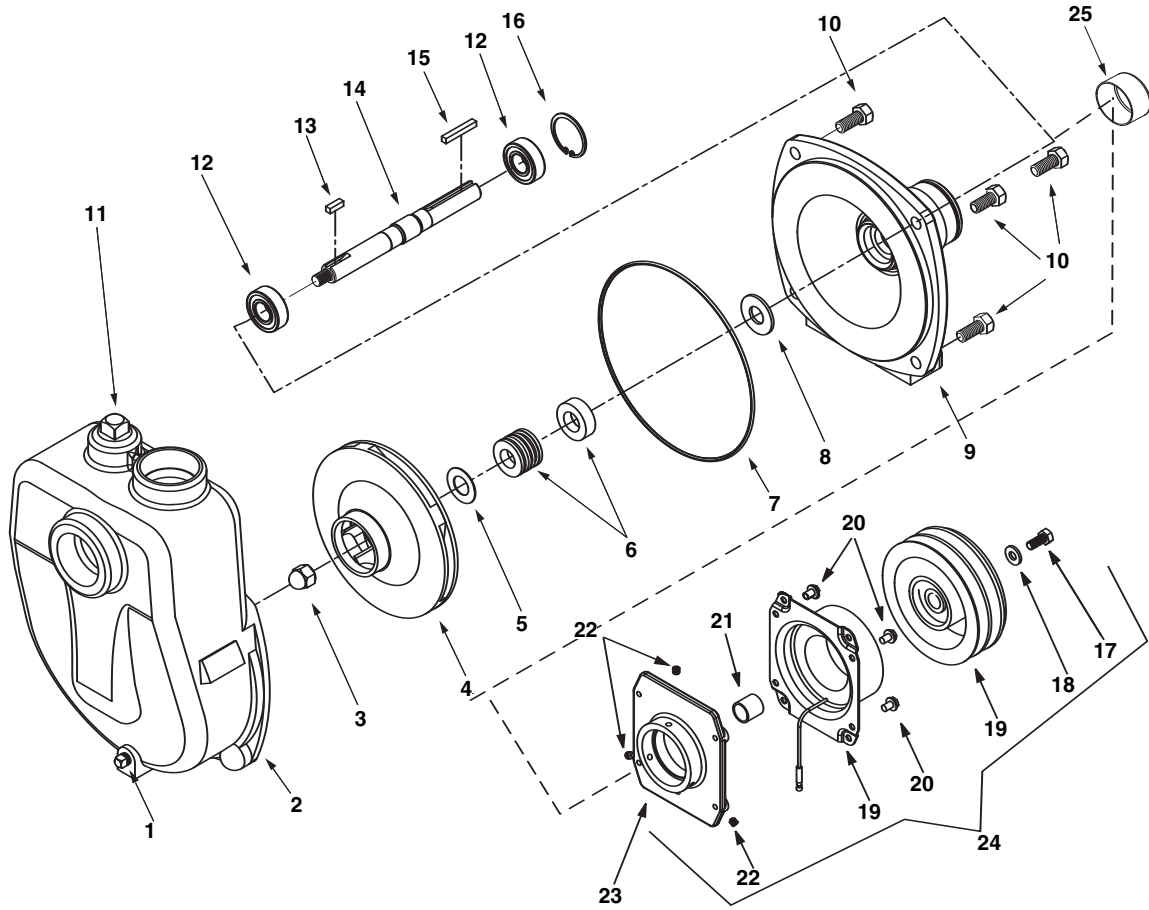


Model 9203C-SP and Model 9263C-C-SP



Standard Seal Kit No. 3430-0332 consists of:

- (1) Ref. 5 Gasket
- (1) Ref. 6 Mech. Seal (Viton)
- (1) Ref. 7 O-ring

Silicon Carbide Seal Kit No. 3430-0589 consists of:

- (1) Ref. 6 Mechanical Seal
- (1) Ref. 7 O-ring

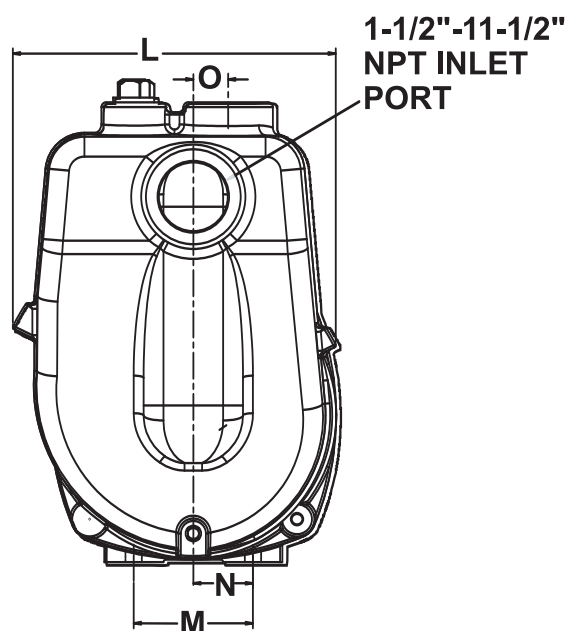
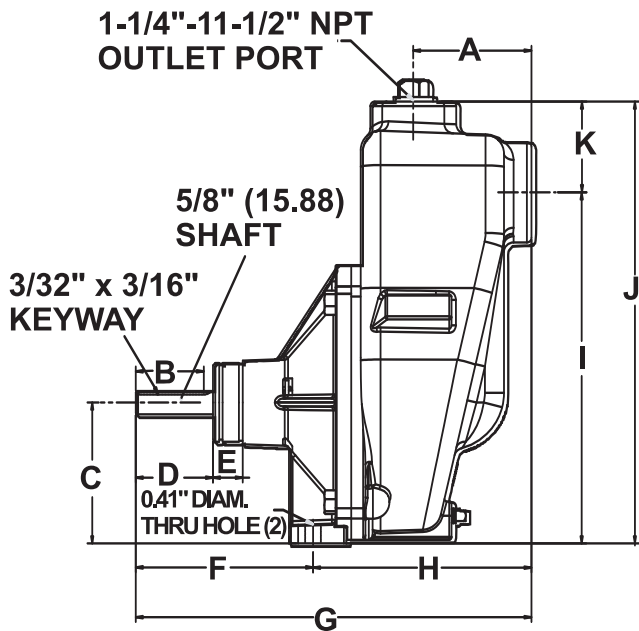
Note: When ordering parts, give quantity, part number, description and complete model number. Reference numbers are used ONLY to identify parts in the drawing and NOT to be used as order numbers.

Ref. No.	Qty. Req'd.	Part No.	Description
1	1	2406-0007	Drain Plug
2	1	3430-0480SP	Self-Priming Chamber (includes Ref. 1, 2, 7, and 11)
3	1	2253-0002	Impeller Nut
4	1	0401-9100P	Impeller (Nylon)
4	1	0407-9303P	Impeller (GTX material) - Optional
5	1	1700-0100	Gasket (use with Buna and Viton only)
6	1	2120-0008	Mechanical Seal (Optional Buna-N)
6	1	2120-0009	Mechanical Seal (Standard Viton)
6	1	3430-0589	Mechanical Seal (Opt. Silicon Carbide)
7	1	1720-0083	O-Ring
8	1	1410-0056	Slinger Ring
9	1	0750-9200C3	Mounting Flange
10	4	2210-0020	Bolt
11	1	2406-0001	Priming Port Plug

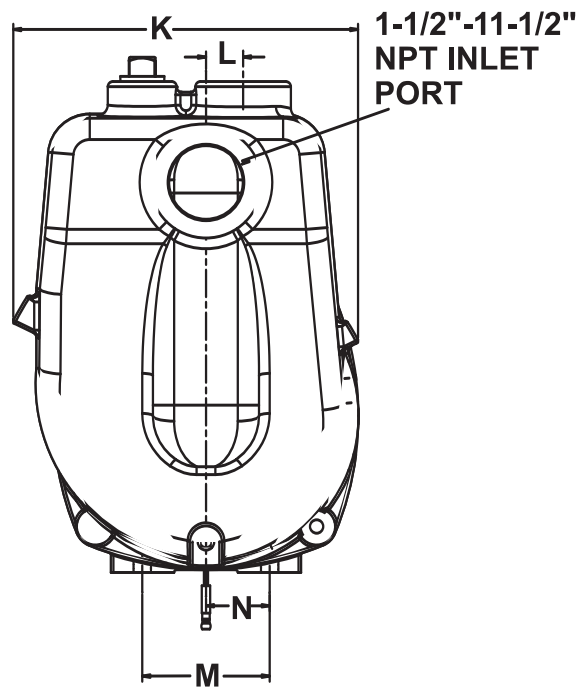
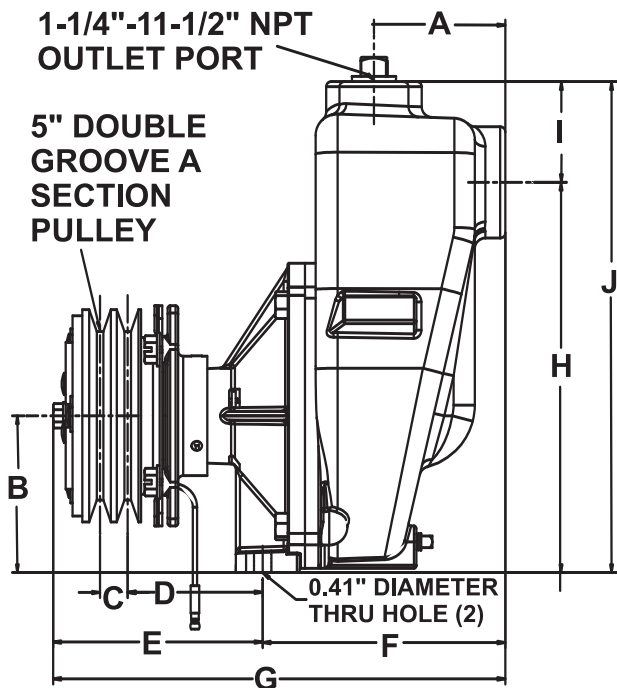
Ref. No.	Qty. Req'd.	Part No.	Description
12	2	2000-0010	Ball Bearing
13	1	1610-0015	Key
14	1	0505-9200	Pump Shaft
15	1	1610-0004	Key
16	1	1820-0013	Bearing Retainer
17	1	2210-0003	Bolt
18	1	2270-0092	Retaining Washer
19	1	2526-0012	Clutch (Model 9263C-C-SP)
20	4	N/A	Bolt (part of clutch assembly)
21	1	1410-0107	Spacer
22	3	2230-0001	Set Screw
23	1	0753-9200C	Mounting Bracket
24	1	3430-0592	Complete Clutch Kit
25	1	2300-0025	Protective Cover

9203C-SP 9263C-SP		GPM at	GPM at	GPM at	GPM at	GPM at	GPM at	GPM at	GPM at	GPM at	GPM at	GPM at
	RPM	20 PSI	30 PSI	40 PSI	50 PSI	60 PSI	70 PSI	80 PSI	90 PSI	100 PSI	110 PSI	120 PSI
	3600	101	84	60	25							
	4200	118	112	97	79	54	23					
	5000	121	120	119	117	110	96	78	52	25		
	5500	121	120	119	118	116	115	110	96	79	53	29
6000	121	120	119	118	116	115	114	113	110	99	82	

9203C-SP 9263C-SP		LPM at	LPM at	LPM at	LPM at	LPM at	LPM at	LPM at	LPM at	LPM at	LPM at	LPM at
	RPM	1.4 BAR	2.1 BAR	2.8 BAR	3.4 BAR	4.1 BAR	4.8 BAR	5.5 BAR	6.2 BAR	6.9 BAR	7.6 BAR	8.3 BAR
	3600	382	318	227	95							
	4200	447	424	367	299	204	87					
	5000	458	454	450	443	416	363	295	197	95		
	5500	458	454	450	447	439	435	416	363	299	201	110
6000	458	454	450	447	439	435	432	428	416	375	310	



9203C-SP		
Dimensions		
	Inches	mm
A	3.09	78.5
B	1.78	45.2
C	3.69	93.7
D	2.02	51.3
E	0.78	19.8
F	4.66	118.4
G	10.36	263.1
H	5.72	145.3
I	9.19	233.4
J	11.57	293.9
K	2.38	60.5
L	8.12	206.2
M	3.00	76.2
N	1.50	38.1
O	0.88	22.4



9263C-SP		
Dimensions		
	Inches	mm
A	3.09	78.5
B	3.69	93.7
C	0.65	16.5
D	3.18	80.8
E	4.93	125.2
F	5.72	145.3
G	10.65	270.5
H	9.19	233.4
I	2.38	60.5
J	11.57	293.9
K	8.12	206.2
L	0.88	22.4
M	3.00	76.2
N	1.50	38.1