

Replacement Parts

[NOTE]

When ordering parts, give **QUANTITY, PART NUMBER, DESCRIPTION** and **COMPLETE MODEL NUMBER**. Reference numbers are used **ONLY** to identify parts in the drawing and are **NOT** to be used as order numbers.

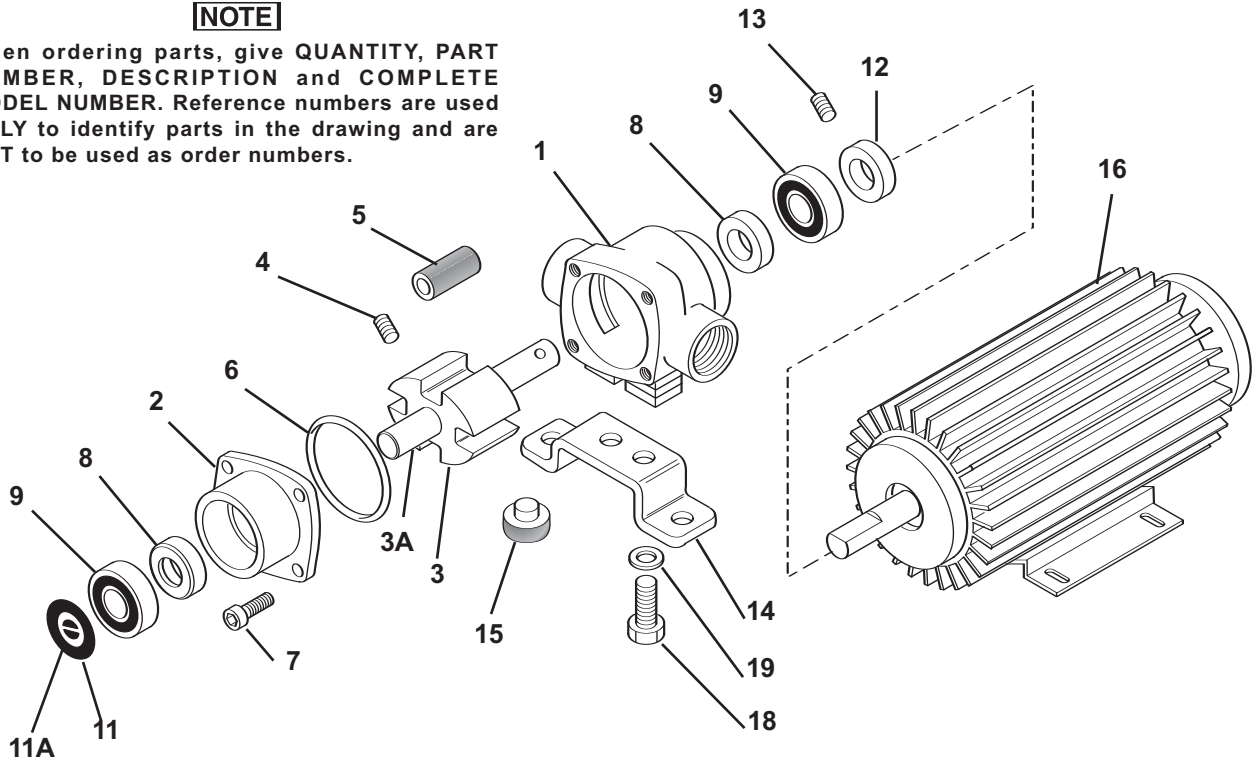


FIGURE 6

Ref. No.	Qty. Req'd	Part Number	Description
1	1	0100-4001N	Body (Ni-Resist) with Std. Seal (4001)
1	1	0100-4101N	Body (Ni-Resist) with Std. Seal (4101)
1	1	0100-4001X	Body (Silvercast) with Std. Seal (4001)
1	1	0100-4101X	Body (Silvercast) with Std. Seal (4101)
2	1	0200-4001N	Endplate (Ni-Resist) Std. Seal (4001)
2	1	0200-4101N	Endplate (Ni-Resist) Std. Seal (4101)
2	1	0200-4001X	Endplate (Silvercast) Std. Seal (4001)
2	1	0200-4101X	Endplate (Silvercast) Std. Seal (4101)
3	1	0301-4001N	Rotor (Ni-Resist) & Shaft Assy (4001)
3	1	0301-4101N	Rotor (Ni-Resist) & Shaft Assy (4101)
3	1	0301-4001X	Rotor (Silvercast) & Shaft Assy (4001)
3	1	0301-4101X	Rotor (Silvercast) & Shaft Assy (4101)
3A	1	0551-4000	Shaft Only
4	1	2230-0016	Rotor Set Screw (Silvercast Only)
4	1	2230-0002	Rotor Set Screw
5	4	1005-0002	Super Rollers (Standard)
5	4	1002-0002	Polypropylene Rollers (Optional)
5	4	1001-0002	Buna-N Rollers (Optional)
5	4	1055-0002	Teflon Rollers (Optional)
6	1	1720-0104	O-ring Gasket for Endplate
7	4	2220-0018	Endplate Screw

Ref. No.	Qty. Req'd	Part Number	Description
8	2	2107-0002	Viton Seal (Standard)
8	2	2102-0001	Buna-N Seal (Optional)
8	2	2102-0001T	Teflon-Coated Buna-N Seal (Optional)
9	2	2000-0010	Ball Bearing
11	1	2300-0021	Bearing Cover
11A	1	6031-0258	Name Plate (Specify Pump Model No.)
12	1	1420-0001	Locking Collar
13	1	2230-0001	Set Screw
14	1	1510-0054	Base
15	2	1450-0003	Bumper
16	1	2570-0013	Electric Motor (12 vdc, .33 hp) (gold)
16	1	2570-0015	Electric Motor (12 vdc, .39 hp) (black)
17	1	4001N-AH	Complete Roller Pump Assy (Not Shown)
17	1	4001XL-AH	Complete Roller Pump Assy (Not Shown)
17	1	4101N-AH	Complete Roller Pump Assy (Not Shown)
17	1	4101XL-AH	Complete Roller Pump Assy (Not Shown)
18	2	2210-0003	Bolt
19	2	2260-0002	Lock Washer
20	2	1900-0150	Torsion Spring (.33 hp) (Not Shown)
21	2	1900-0151	Torsion Spring (.39 hp) (Not Shown)